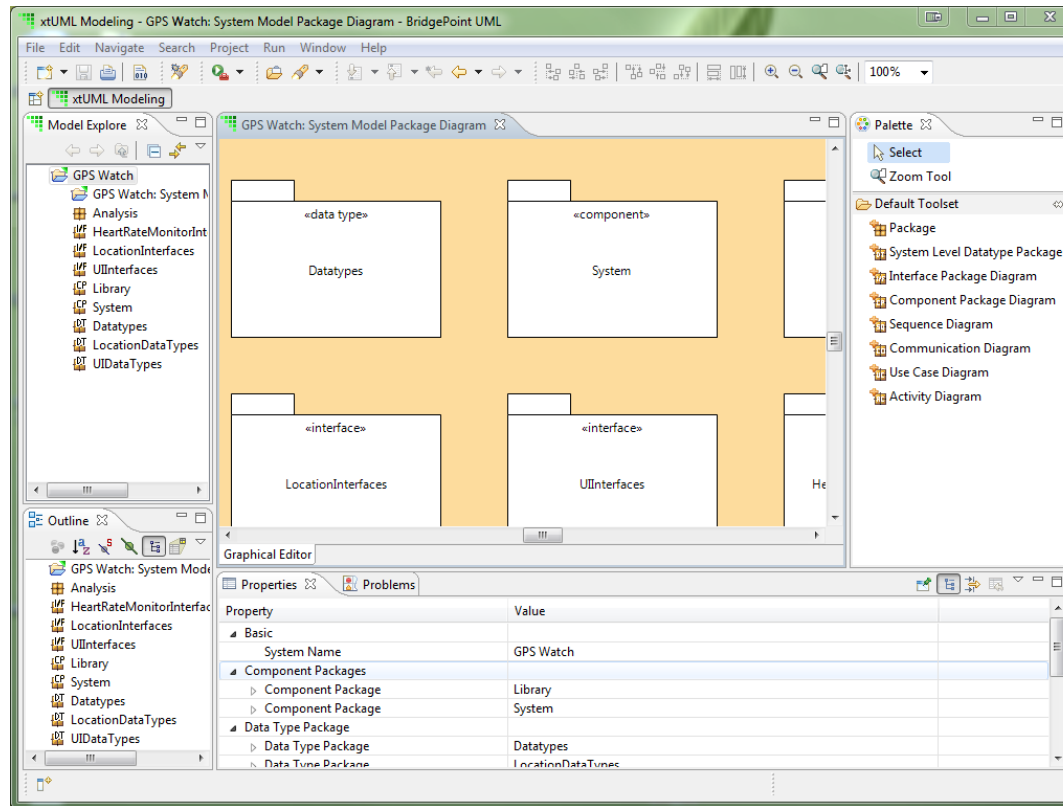


Model Structure

- ◆ Structure of the model is realized in packages
- ◆ Packages can contain model elements or other packages

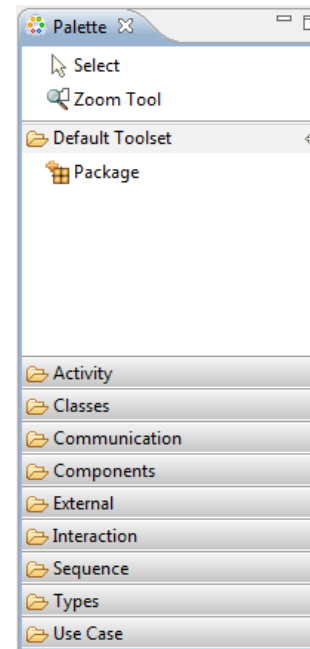


Generic Packages

- ◆ **Generic packages can contain any other model element.**
- ◆ **Useful for high-level partitioning along functional divisions**
- ◆ **Model elements are available from the palette classified by type.**

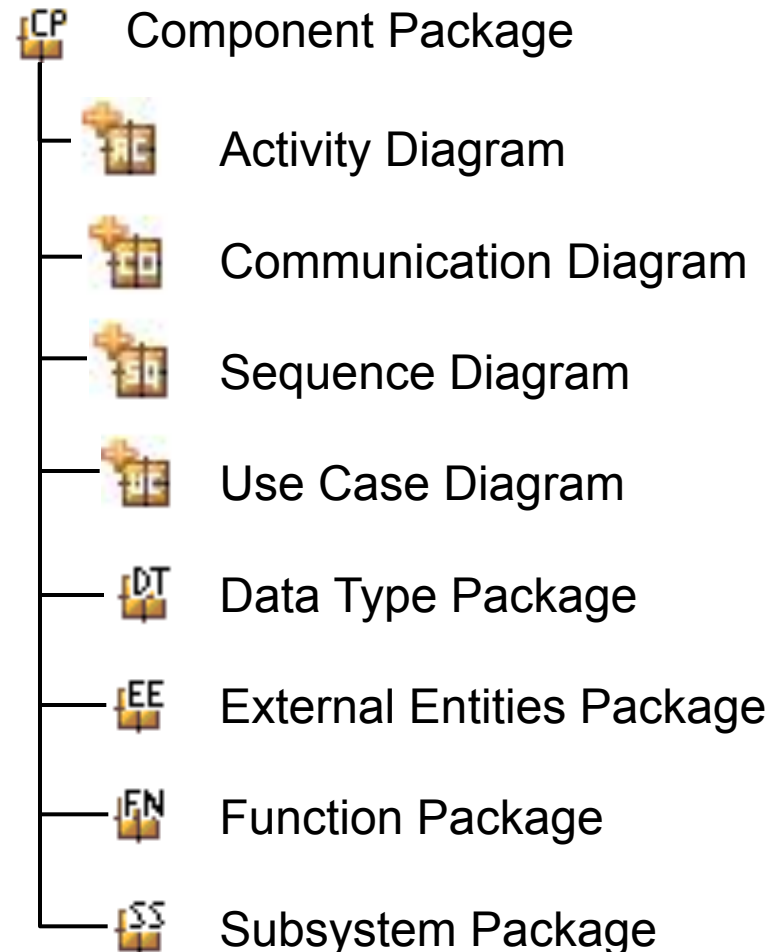


Generic Package



Specialized Packages (soon to be discontinued)

- ◆ **Add diagrams and packages to top level of model;
Components and models**
- ◆ **Package icons look similar,
have different letter abbreviations**
- ◆ **Diagrams are intended for
domain analysis only**
- ◆ **Packages contain executable
model elements**



Components

- ◆ Packages containing components can be subdivided with additional component diagrams if necessary
- ◆ Components are connected together via Provided/Required interfaces at this level
- ◆ Interfaces can also be defined in these packages



Component



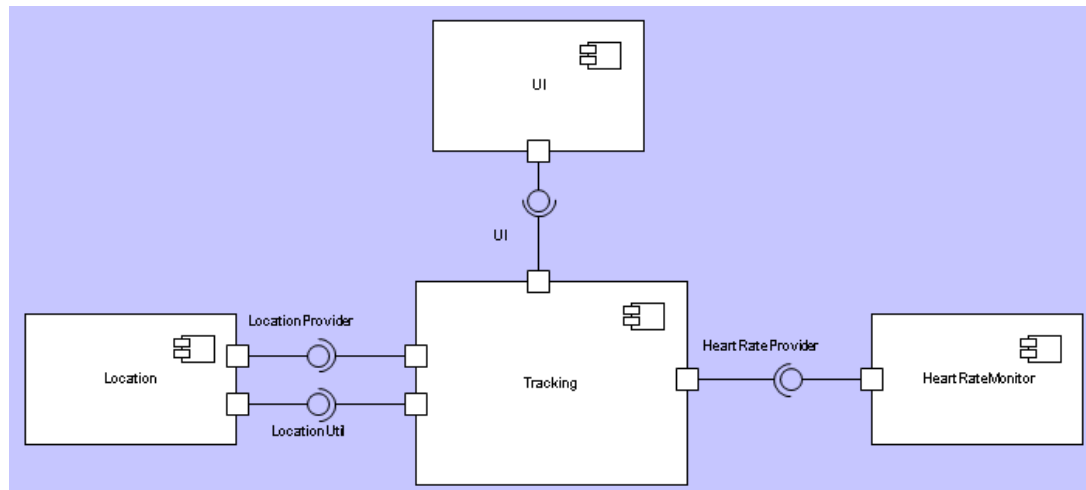
Component Reference



Provided Interface

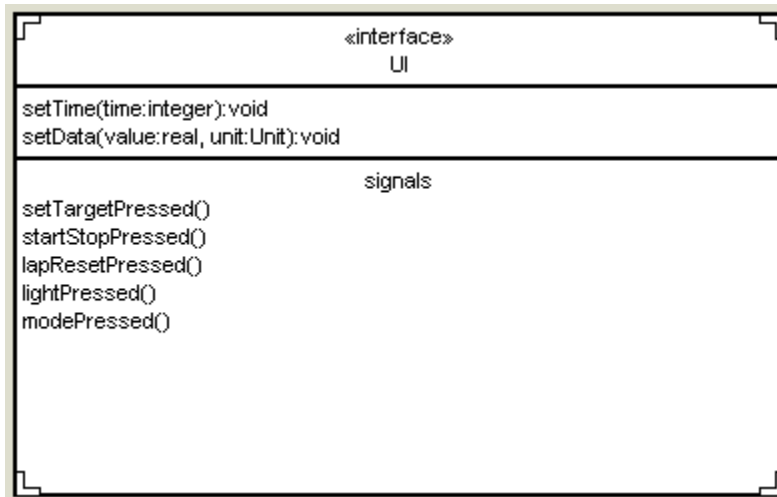
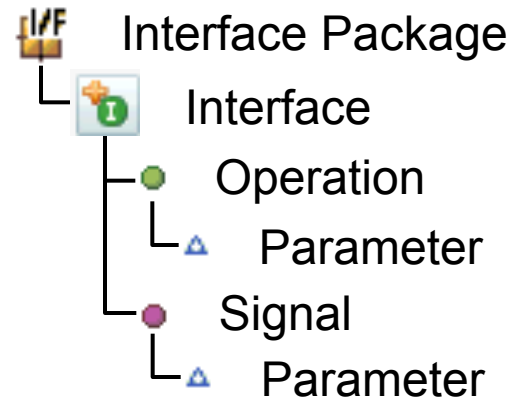


Required Interface



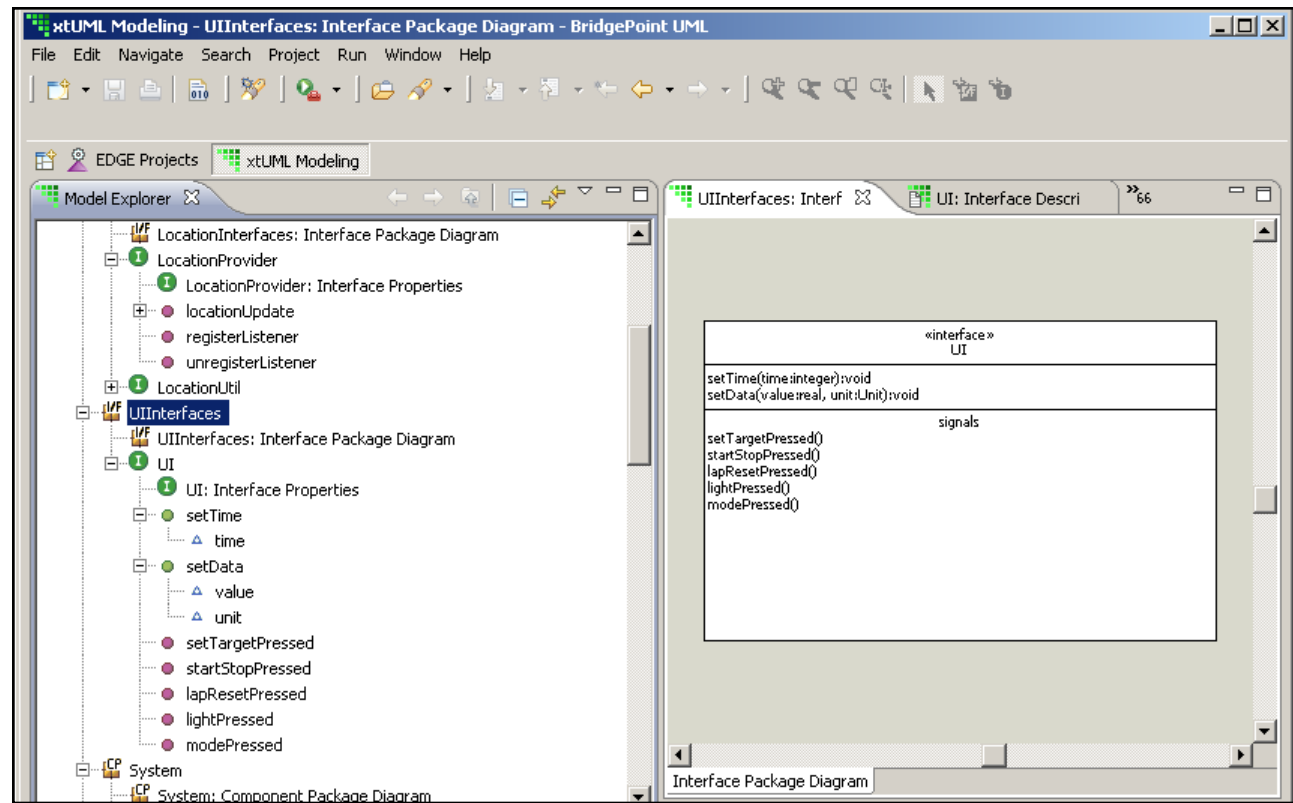
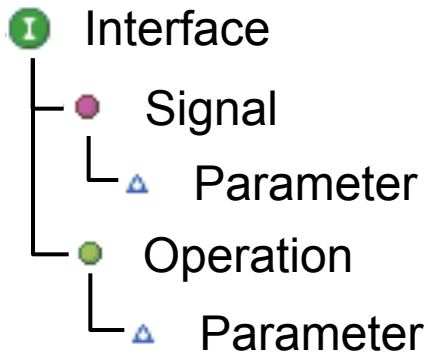
Interfaces

- ◆ Interfaces must be decomposed into their Signals and Operations at this level
- ◆ Can contain additional packages of interfaces for clarity and hierarchy



Exploring Interfaces

- ◆ Use Model Explorer to analyze an Interface shows an outline view of the interface graphic



Exploring Classes

- ◆ Use Model Explorer to analyze a class to list attributes, operations and their parameters

